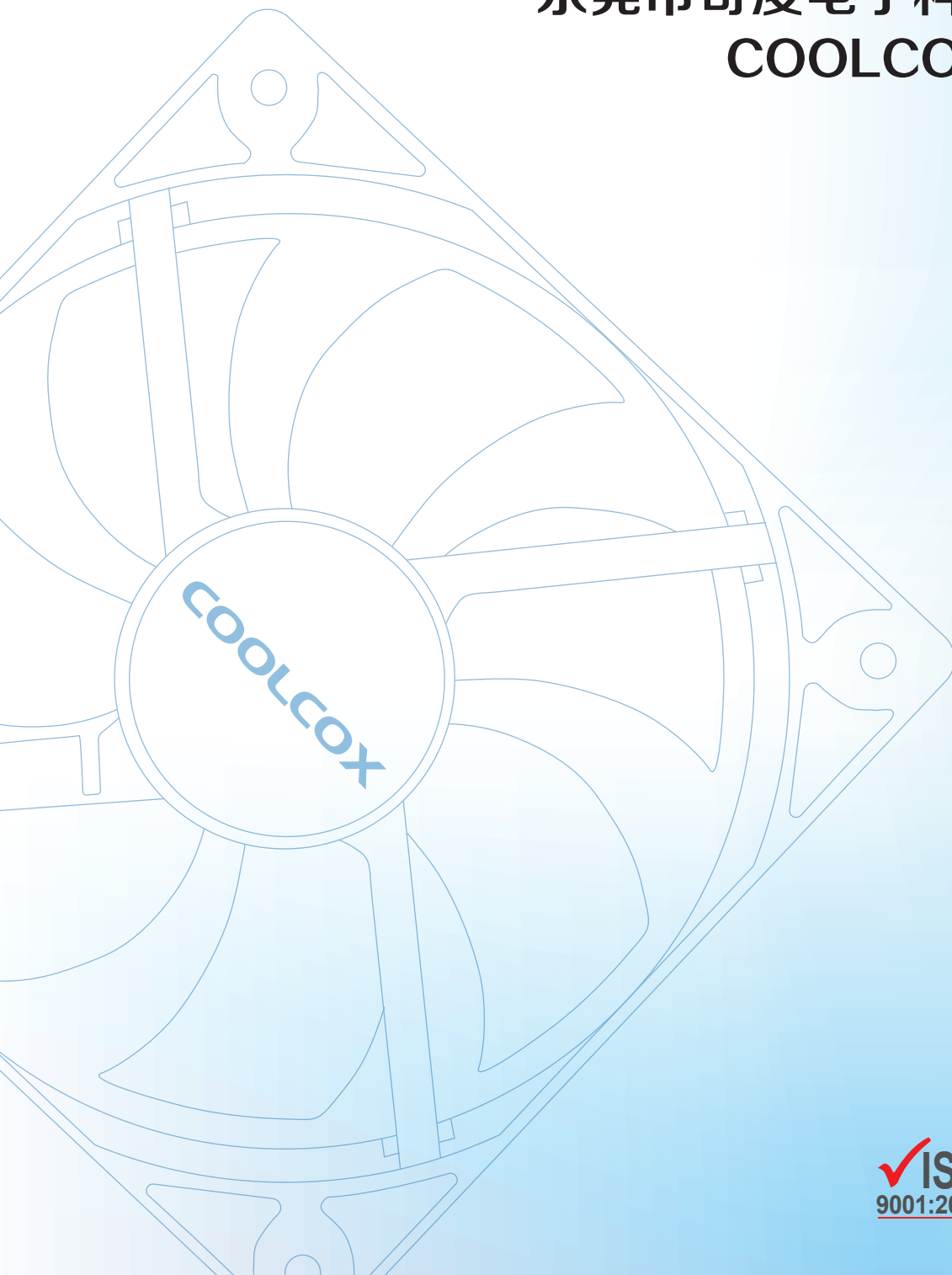


COOLCOX®

东莞市奇凌电子科技有限公司
COOLCOX LIMITED



公司简介

奇凌电子创立于2008年，致力于散热产品的研发与生产，是具有“自主品牌和知识产权”的高新科技企业。

研发制造基地位于东莞市望牛墩镇，厂房面积16,000平方米，员工700余人。公司已通过ISO9001、ISO14001、IATF16949、QC080000管理体系认证，产品符合UL、TUV、CE、CQC等安规认证。

公司拥有先进的自动化设备和一流的制造能力，以及严格的品质管理体系，持续为全球客户提供高性能的轴流风扇、鼓风机、散热器、电机等产品，广泛应用于计算机、网络设备、家用电器、医疗设备、安防产品、自控系统、3D打印机、投影仪、新能源等领域。

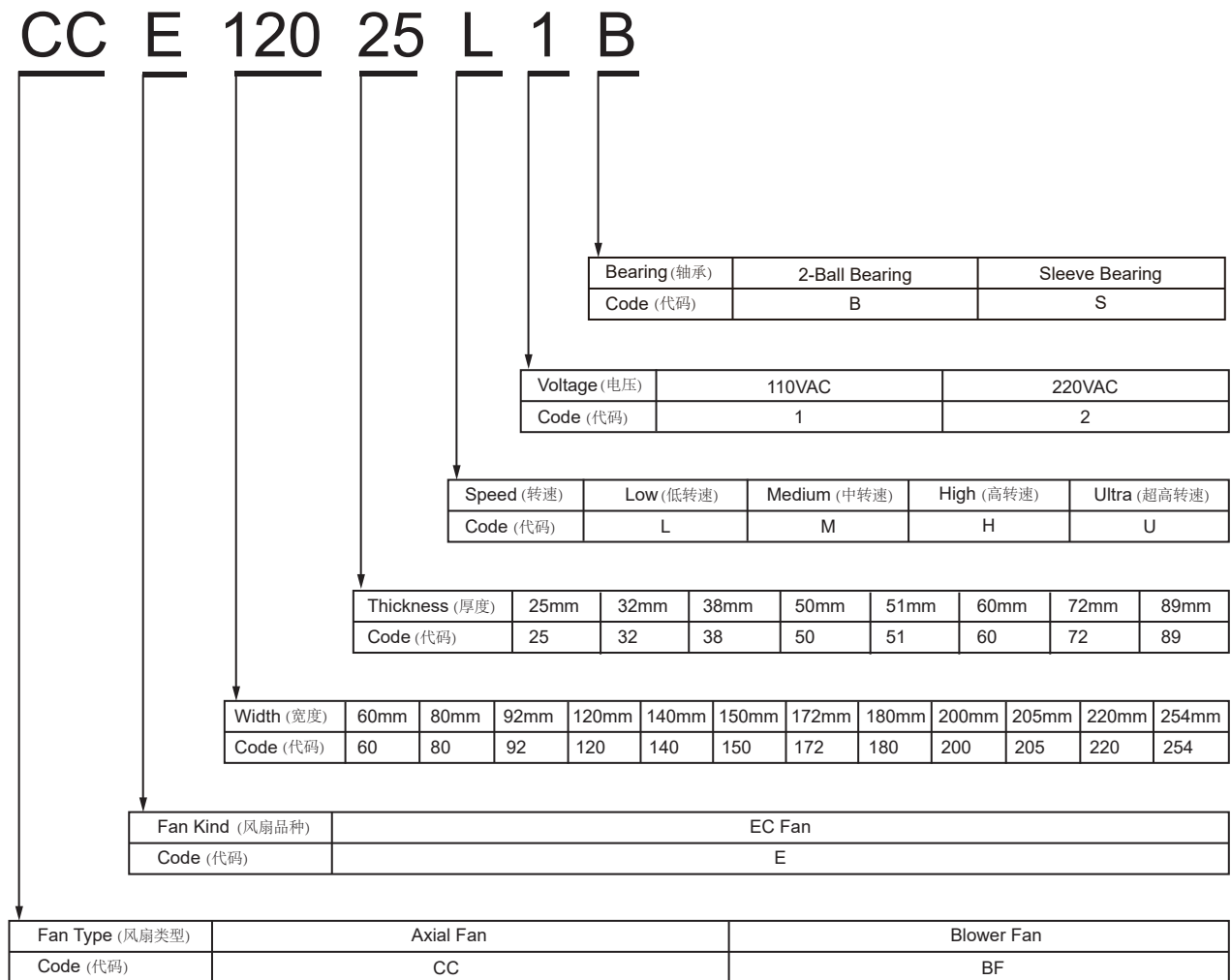
公司坚持技术创新和品质保证，以全面高效的散热产品和解决方案，为客户实现价值增长。



II Introductions (风扇介绍)

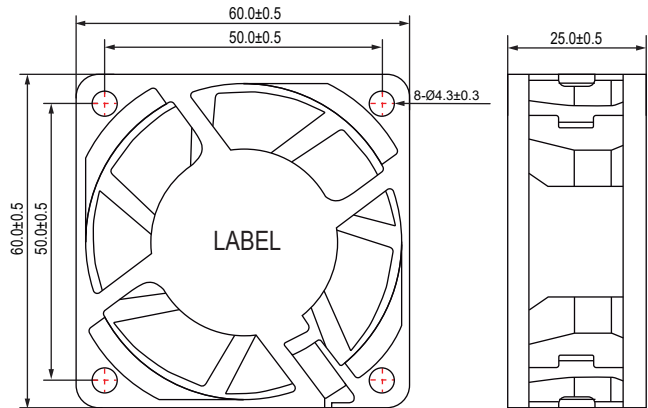
- All parts are in conformity with RoHS2.0 standard
风扇所有部件符合RoHS2.0标准
- Polarity protection function
极性保护功能
- Locked rotor protection function
锁机保护功能
- 2-Ball Bearing supports long life expectancy
双滚珠轴承支持长寿命工作

II Part Number Definition (产品型号命名规则)



EC Axial Fan 60x60x25mm

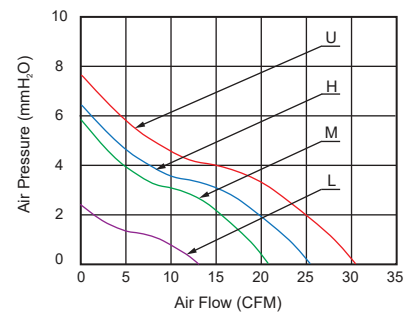
■ 尺寸图 (DIMENSION DRAWING)



Unit:mm

- * 轴承类型:滚珠轴承 (Bearing type:2-ball)
- * 材料(Material):
框叶(Frame & Impeller):PBT,UL 94V-0
- * 引线(Lead wire):
UL1007 AWG #22(Optional)
- * 重量(Weight):62g

■ 风压&风量曲线图 P and Q CURVE

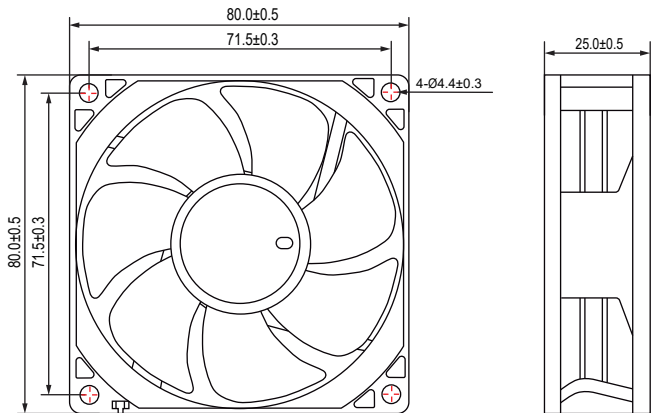


型号 Model	轴承类型 Bearing Type	电压 Rated Voltage	电压范围 Operating Voltage Range	频率 Freq.	功率 Power	转速 Speed	风量 Air Flow	风压 Static Pressure	噪音 Noise Level
		VAC	VAC	Hz	Watt	RPM	CFM	MM-H ₂ O	dBA
CCE6025L1B	2-Ball	110V	80~135	50/60	1.00	2,800±10%	13.20	2.30	28.0
CCE6025L2B	2-Ball	220V	180~265	50/60	1.00				
CCE6025M1B	2-Ball	110V	80~135	50/60	2.20	4,000±10%	22.50	5.80	34.0
CCE6025M2B	2-Ball	220V	180~265	50/60	2.20				
CCE6025H1B	2-Ball	110V	80~135	50/60	2.50	5,000±10%	25.20	6.40	40.0
CCE6025H2B	2-Ball	220V	180~265	50/60	2.50				
CCE6025U1B	2-Ball	110V	80~135	50/60	3.00	6,000±10%	30.20	7.60	45.0
CCE6025U2B	2-Ball	220V	180~265	50/60	3.00				

- * 以上为额定电压下的常规参数(All readings are typical values at rated voltage)
- * 规格如有变动不另行通知(Specifications are subjected to change without prior notice)

EC Axial Fan 80x80x25mm

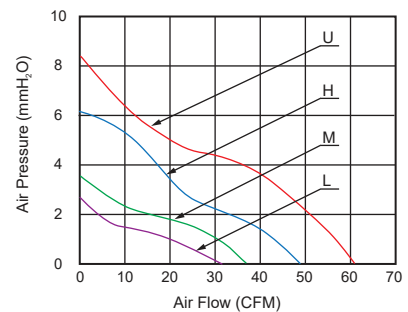
■ 尺寸图 (DIMENSION DRAWING)



Unit:mm

- * 轴承类型:滚珠轴承 (Bearing type:2-ball)
- * 材料(Material):
框叶(Frame & Impeller):PBT,UL 94V-0
- * 引线(Lead wire):
UL1007 AWG #22(Optional)
- * 重量(Weight):78g

■ 风压&风量曲线图 P and Q CURVE

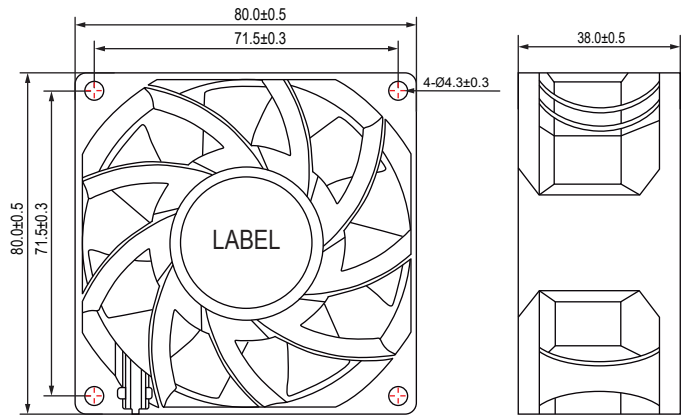


型号 Model	轴承类型 Bearing Type	电压 Rated Voltage	电压范围 Operating Voltage Range	频率 Freq.	功率 Power	转速 Speed	风量 Air Flow	风压 Static Pressure	噪音 Noise Level
		VAC	VAC	Hz	Watt	RPM	CFM	MM-H ₂ O	dBA
CCE8025L1B	2-Ball	110V	80~135	50/60	1.00	2,500±10%	30.5	2.60	29.0
CCE8025L2B	2-Ball	220V	180~265	50/60	1.00				
CCE8025M1B	2-Ball	110V	80~135	50/60	1.20	3,500±10%	36.5	3.60	34.0
CCE8025M2B	2-Ball	220V	180~265	50/60	1.20				
CCE8025H1B	2-Ball	110V	80~135	50/60	1.50	4,000±10%	48.5	6.10	41.0
CCE8025H2B	2-Ball	220V	180~265	50/60	1.50				
CCE8025U1B	2-Ball	110V	80~135	50/60	2.00	5,000±10%	60.7	8.40	46.0
CCE8025U2B	2-Ball	220V	180~265	50/60	2.00				

- * 以上为额定电压下的常规参数(All readings are typical values at rated voltage)
- * 规格如有变动不另行通知(Specifications are subjected to change without prior notice)

EC Axial Fan 80x80x38mm

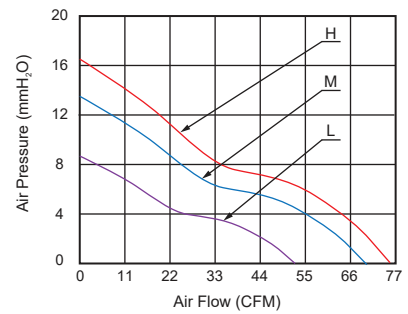
■ 尺寸图 (DIMENSION DRAWING)



Unit:mm

- * 轴承类型: 滚珠轴承 (Bearing type: 2-ball)
- * 材料(Material):
框叶(Frame & Impeler): PBT, UL 94V-0
- * 引线(Lead wire):
UL1007 AWG #22(Optional)
- * 重量(Weight): 178g

■ 风压&风量曲线图 P and Q CURVE

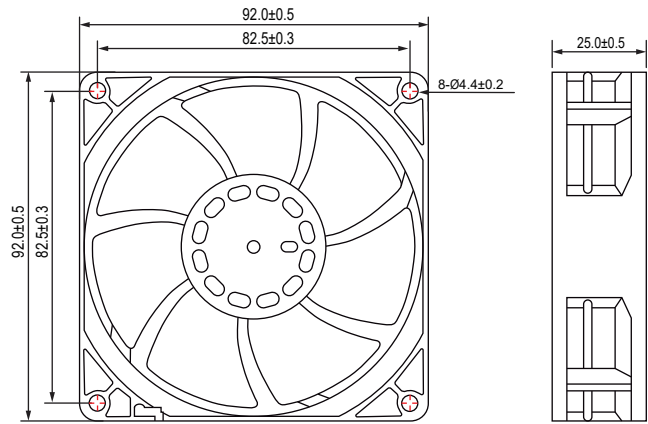


型号 Model	轴承类型 Bearing Type	电压 Rated Voltage	电压范围 Operating Voltage Range	频率 Freq.	功率 Power	转速 Speed	风量 Air Flow	风压 Static Pressure	噪音 Noise Level
		VAC	VAC	Hz	Watt	RPM	CFM	MM-H ₂ O	dBA
CCE8038L1B	2-Ball	110V	80~135	50/60	6.50	4,000±10%	50.0	8.1	45.0
CCE8038L2B	2-Ball	220V	180~265	50/60	6.50				
CCE8038M1B	2-Ball	110V	80~135	50/60	9.30	5,500±10%	68.5	13.9	54.0
CCE8038M2B	2-Ball	220V	180~265	50/60	9.30				
CCE8038H1B	2-Ball	110V	80~135	50/60	9.50	6,000±10%	75.0	16.5	56.0
CCE8038H2B	2-Ball	220V	180~265	50/60	9.50				

- * 以上为额定电压下的常规参数 (All readings are typical values at rated voltage)
- * 规格如有变动不另行通知 (Specifications are subjected to change without prior notice)

EC Axial Fan 92x92x25mm

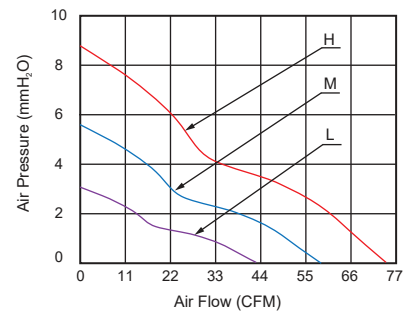
■ 尺寸图 (DIMENSION DRAWING)



Unit:mm

- * 轴承类型: 滚珠轴承 (Bearing type: 2-ball)
- * 材料(Material):
框叶(Frame & Impeler): PBT, UL 94V-0
- * 引线(Lead wire):
UL1007 AWG #22(Optional)
- * 重量(Weight): 102g

■ 风压&风量曲线图 P and Q CURVE

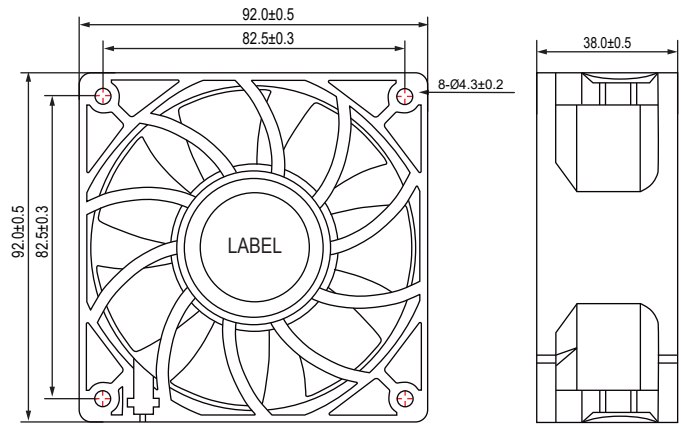


型号 Model	轴承类型 Bearing Type	电压 Rated Voltage	电压范围 Operating Voltage Range	频率 Freq.	功率 Power	转速 Speed	风量 Air Flow	风压 Static Pressure	噪音 Noise Level
		VAC	VAC	Hz	Watt	RPM	CFM	MM-H ₂ O	dBA
CCE9225L1B	2-Ball	110V	80~135	50/60	4.50	2,500±10%	41.3	3.1	33.0
CCE9225L2B	2-Ball	220V	180~265	50/60	4.50				
CCE9225M1B	2-Ball	110V	80~135	50/60	5.10	3,500±10%	58.1	5.6	43.0
CCE9225M2B	2-Ball	220V	180~265	50/60	5.10				
CCE9225H1B	2-Ball	110V	80~135	50/60	6.00	4,500±10%	73.5	8.6	49.0
CCE9225H2B	2-Ball	220V	180~265	50/60	6.00				

- * 以上为额定电压下的常规参数(All readings are typical values at rated voltage)
- * 规格如有变动不另行通知(Specifications are subjected to change without prior notice)

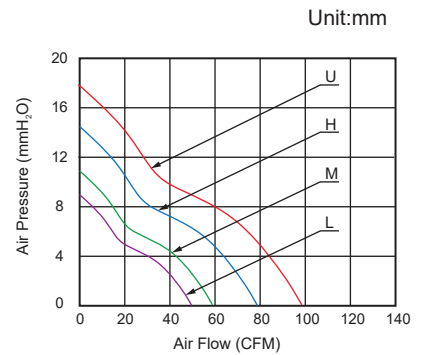
EC Axial Fan 92x92x38mm

■ 尺寸图 (DIMENSION DRAWING)



- * 轴承类型: 滚珠轴承 (Bearing type: 2-ball)
- * 材料 (Material):
框叶 (Frame & Impeller): PBT, UL 94V-0
- * 引线 (Lead wire):
UL1007 AWG #22 (Optional)
- * 重量 (Weight): 202g

■ 风压&风量曲线图 P and Q CURVE

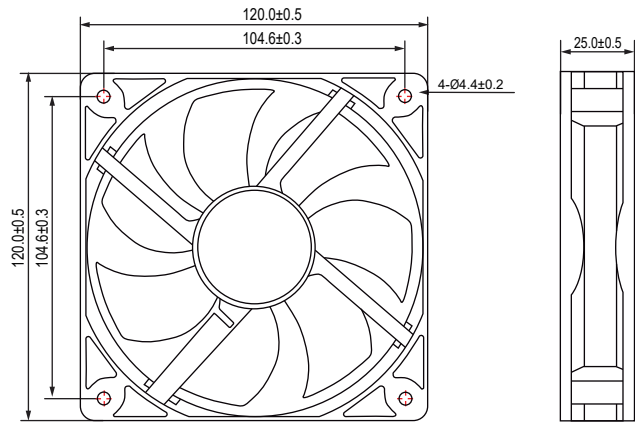


型号 Model	轴承类型 Bearing Type	电压 Rated Voltage	电压范围 Operating Voltage Range	频率 Freq.	功率 Power	转速 Speed	风量 Air Flow	风压 Static Pressure	噪音 Noise Level
		VAC	VAC	Hz	Watt	RPM	CFM	MM-H ₂ O	dBA
CCE9238L1B	2-Ball	110V	80~135	50/60	6.80	2,500±10%	49.3	8.9	45.0
CCE9238L2B	2-Ball	220V	180~265	50/60	6.80				
CCE9238M1B	2-Ball	110V	80~135	50/60	8.20	3,000±10%	59.2	10.7	48.0
CCE9238M2B	2-Ball	220V	180~265	50/60	8.20				
CCE9238H1B	2-Ball	110V	80~135	50/60	10.00	4,000±10%	79.0	14.2	54.0
CCE9238H2B	2-Ball	220V	180~265	50/60	10.00				
CCE9238U1B	2-Ball	110V	80~135	50/60	13.00	5,000±10%	98.8	17.8	57.0
CCE9238U2B	2-Ball	220V	180~265	50/60	31.00				

- * 以上为额定电压下的常规参数 (All readings are typical values at rated voltage)
- * 规格如有变动不另行通知 (Specifications are subjected to change without prior notice)

EC Axial Fan 120x120x25mm

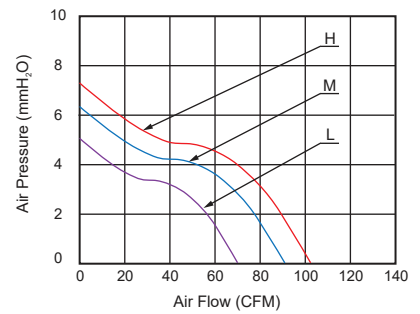
■ 尺寸图 (DIMENSION DRAWING)



Unit:mm

- * 轴承类型: 滚珠轴承 (Bearing type: 2-ball)
- * 材料(Material): 框叶(Frame & Impeller): PBT, UL 94V-0
- * 引线(Lead wire): UL1007 AWG #22(Optional)
- * 重量(Weight): 172g

■ 风压&风量曲线图 P and Q CURVE

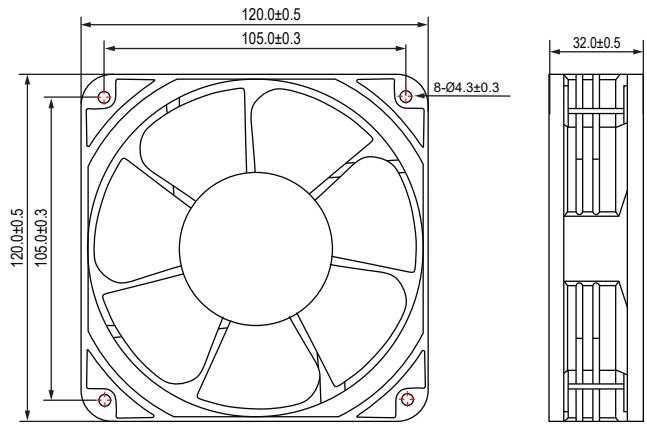


型号 Model	轴承类型 Bearing Type	电压 Rated Voltage	电压范围 Operating Voltage Range	频率 Freq.	功率 Power	转速 Speed	风量 Air Flow	风压 Static Pressure	噪音 Noise Level
		VAC	VAC	Hz	Watt	RPM	CFM	MM-H ₂ O	dBA
CCE12025L1B	2-Ball	110V	80~135	50/60	4.10	2,500±10%	75.0	5.2	40.0
CCE12025L2B	2-Ball	220V	180~265	50/60	4.10				
CCE12025M1B	2-Ball	110V	80~135	50/60	4.50	3,000±10%	90.0	6.3	43.0
CCE12025M2B	2-Ball	220V	180~265	50/60	4.50				
CCE12025H1B	2-Ball	110V	80~135	50/60	5.00	3,500±10%	105.0	7.3	46.0
CCE12025H2B	2-Ball	220V	180~265	50/60	5.00				

- * 以上为额定电压下的常规参数 (All readings are typical values at rated voltage)
- * 规格如有变动不另行通知 (Specifications are subjected to change without prior notice)

EC Axial Fan 120x120x32mm

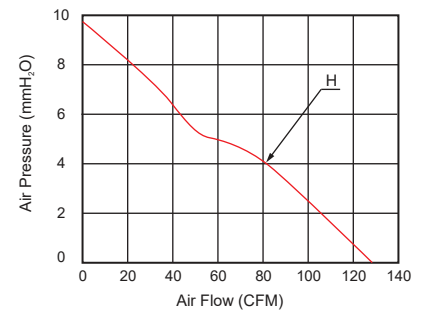
■ 尺寸图 (DIMENSION DRAWING)



Unit:mm

- * 轴承类型:滚珠轴承 (Bearing type:2-ball)
- * 材料(Material):
框叶(Frame & Impeler):PBT,UL 94V-0
- * 引线(Lead wire):
UL1007 AWG #22(Optional)
- * 重量(Weight):205g

■ 风压&风量曲线图 P and Q CURVE

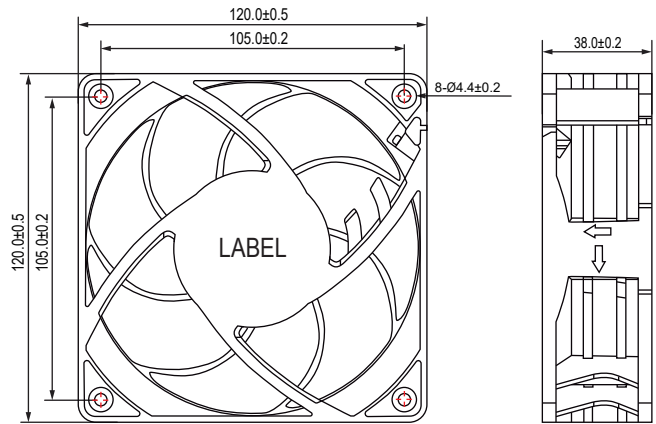


型号 Model	轴承类型 Bearing Type	电压 Rated Voltage	电压范围 Operating Voltage Range	频率 Freq.	功率 Power	转速 Speed	风量 Air Flow	风压 Static Pressure	噪音 Noise Level
		VAC	VAC	Hz	Watt	RPM	CFM	MM-H ₂ O	dBA
CCE12032H1B	2-Ball	110V	80~135	50/60	15.00	3,500±10%	127.8	9.6	46.0
CCE12032H2B	2-Ball	220V	180~265	50/60	15.00				

- * 以上为额定电压下的常规参数(All readings are typical values at rated voltage)
- * 规格如有变动不另行通知(Specifications are subjected to change without prior notice)

EC Axial Fan 120x120x38mm(Ver.A)

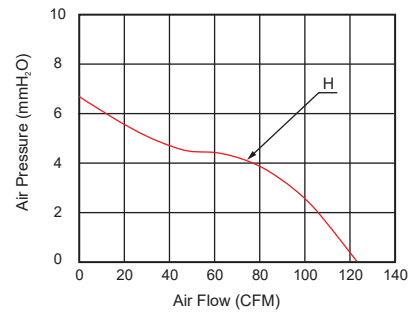
■ 尺寸图 (DIMENSION DRAWING)



Unit:mm

- * 轴承类型:滚珠轴承
(Bearing type:2-ball)
- * 材料(Material):
框叶(Frame & Impeller):PBT,UL 94V-0
- * 引线(Lead wire):
UL1007 AWG #22(Optional)
- * 重量(Weight):302g

■ 风压&风量曲线图 P and Q CURVE

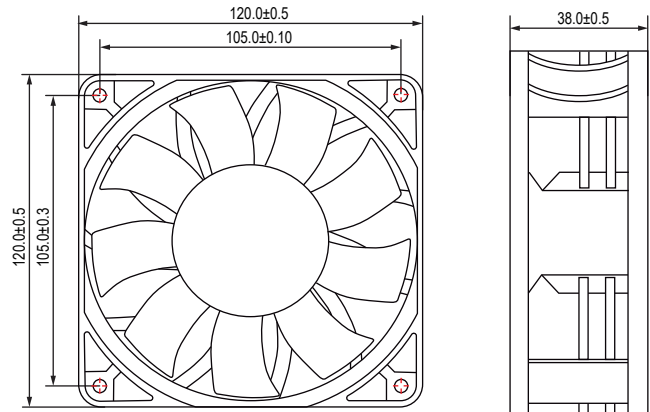


型号 Model	轴承类型 Bearing Type	电压 Rated Voltage	电压范围 Operating Voltage Range	频率 Freq.	功率 Power	转速 Speed	风量 Air Flow	风压 Static Pressure	噪音 Noise Level
		VAC	VAC	Hz	Watt	RPM	CFM	MM-H ₂ O	dBA
CCE12038H1B	2-Ball	110V	80~135	50/60	15.00	3,500±10%	122.0	6.5	52.0
CCE12038H2B	2-Ball	220V	180~265	50/60	15.00				

- * 以上为额定电压下的常规参数(All readings are typical values at rated voltage)
- * 规格如有变动不另行通知(Specifications are subjected to change without prior notice)

EC Axial Fan 120x120x38mm(Ver.B)

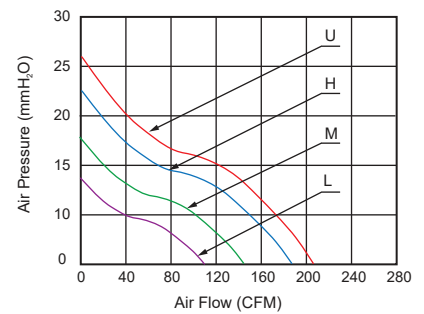
■ 尺寸图 (DIMENSION DRAWING)



Unit:mm

- * 轴承类型:滚珠轴承
(Bearing type:2-ball)
- * 材料(Material):
框叶(Frame & Impeller):PBT,UL 94V-0
- * 引线(Lead wire):
UL1007 AWG #22(Optional)
- * 重量(Weight):295g

■ 风压&风量曲线图 P and Q CURVE

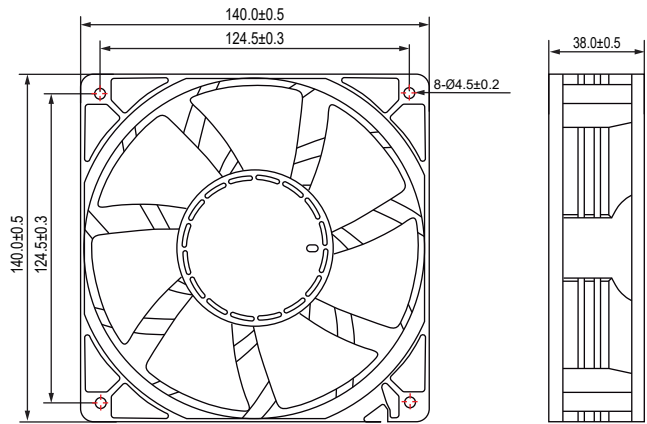


型号 Model	轴承类型 Bearing Type	电压 Rated Voltage	电压范围 Operating Voltage Range	频率 Freq.	功率 Power	转速 Speed	风量 Air Flow	风压 Static Pressure	噪音 Noise Level
		VAC	VAC	Hz	Watt	RPM	CFM	MM-H ₂ O	dBA
CCE12038L1B	2-Ball	110V	80~135	50/60	8.50	2,500±10%	116.0	14.1	48.0
CCE12038L2B	2-Ball	220V	180~265	50/60	8.50				
CCE12038M1B	2-Ball	110V	80~135	50/60	11.00	3,000±10%	139.3	17.0	52.0
CCE12038M2B	2-Ball	220V	180~265	50/60	11.00				
CCE12038H1B	2-Ball	110V	80~135	50/60	25.00	4,000±10%	187.7	22.6	60.0
CCE12038H2B	2-Ball	220V	180~265	50/60	25.00				
CCE12038U1B	2-Ball	110V	80~135	50/60	30.00	4,500±10%	209.0	25.5	64.0
CCE12038U2B	2-Ball	220V	180~265	50/60	30.00				

- * 以上为额定电压下的常规参数(All readings are typical values at rated voltage)
- * 规格如有变动不另行通知(Specifications are subjected to change without prior notice)

EC Axial Fan 140x140x38mm

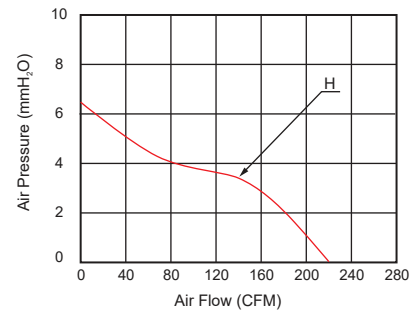
■ 尺寸图 (DIMENSION DRAWING)



Unit:mm

- * 轴承类型:滚珠轴承 (Bearing type:2-ball)
- * 材料(Material):
框叶(Frame & Impeler):PBT,UL 94V-0
- * 引线(Lead wire):
UL1007 AWG #22(Optional)
- * 重量(Weight):900g

■ 风压&风量曲线图 P and Q CURVE

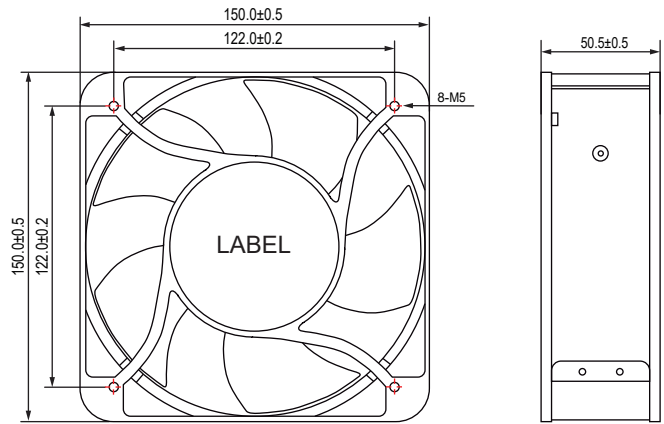


型号 Model	轴承类型 Bearing Type	电压 Rated Voltage	电压范围 Operating Voltage Range	频率 Freq.	功率 Power	转速 Speed	风量 Air Flow	风压 Static Pressure	噪音 Noise Level
		VAC	VAC	Hz	Watt	RPM	CFM	MM-H ₂ O	dBA
CCE14038H1B	2-Ball	110V	80~135	50/60	40.00	3,000±10%	218.3	6.2	46.0
CCE14038H2B	2-Ball	220V	180~265	50/60	40.00				

- * 以上为额定电压下的常规参数(All readings are typical values at rated voltage)
- * 规格如有变动不另行通知(Specifications are subjected to change without prior notice)

EC Axial Fan 150x150x50mm

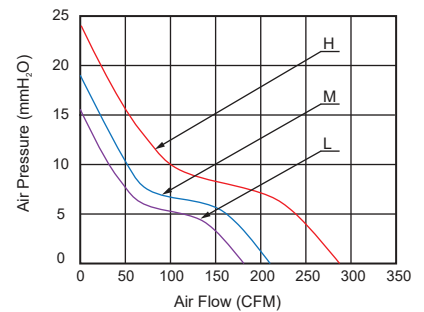
■ 尺寸图 (DIMENSION DRAWING)



Unit:mm

- * 轴承类型:滚珠轴承 (Bearing type:2-ball)
- * 材料(Material):
框 (Frame):Aluminum Alloy
叶 (Impeler):PBT,UL 94V-0
- * 引线(Lead wire):
UL1007 AWG #18(Optional)
- * 重量(Weight):700g

■ 风压&风量曲线图 P and Q CURVE

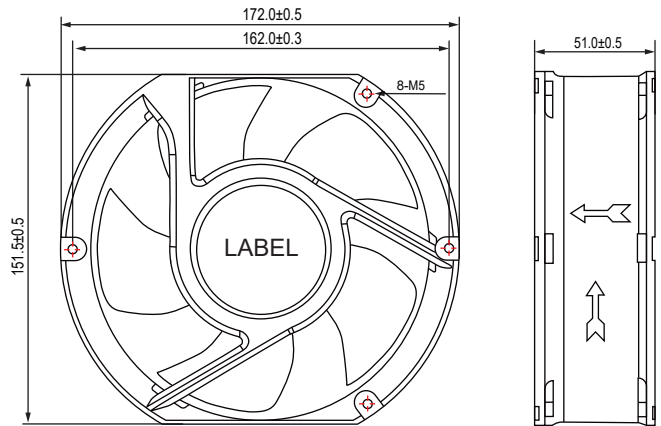


型号 Model	轴承类型 Bearing Type	电压 Rated Voltage	电压范围 Operating Voltage Range	频率 Freq.	功率 Power	转速 Speed	风量 Air Flow	风压 Static Pressure	噪音 Noise Level
		VAC	VAC	Hz	Watt	RPM	CFM	MM-H ₂ O	dBA
CCE15050L1B	2-Ball	110V	80~135	50/60	21.00	2,500±10%	176.2	15.3	52.0
CCE15050L2B	2-Ball	220V	180~265	50/60	21.00				
CCE15050M1B	2-Ball	110V	80~135	50/60	24.00	3,000±10%	211.5	18.3	62.0
CCE15050M2B	2-Ball	220V	180~265	50/60	24.00				
CCE15050H1B	2-Ball	110V	80~135	50/60	31.00	4,000±10%	282.0	24.5	65.0
CCE15050H2B	2-Ball	220V	180~265	50/60	31.00				

- * 以上为额定电压下的常规参数(All readings are typical values at rated voltage)
- * 规格如有变动不另行通知(Specifications are subjected to change without prior notice)

EC Axial Fan 172x150x51mm

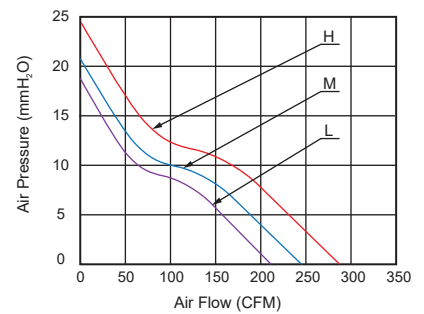
■ 尺寸图 (DIMENSION DRAWING)



Unit:mm

- * 轴承类型:滚珠轴承
(Bearing type:2-ball)
- * 材料(Material):
框(Frame):Aluminum Alloy
叶(Impeler):PBT,UL 94V-0
- * 引线(Lead wire):
UL1015 AWG #22(Optional)
- * 重量(Weight):700g

■ 风压&风量曲线图 P and Q CURVE

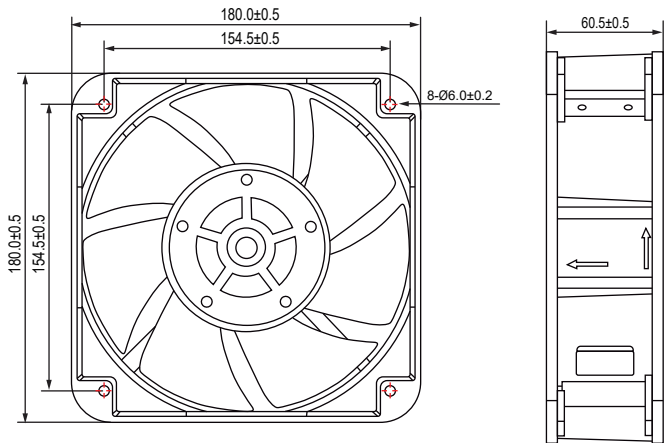


型号 Model	轴承类型 Bearing Type	电压 Rated Voltage	电压范围 Operating Voltage Range	频率 Freq.	功率 Power	转速 Speed	风量 Air Flow	风压 Static Pressure	噪音 Noise Level
		VAC	VAC	Hz	Watt	RPM	CFM	MM-H ₂ O	dBA
CCE17251L1B	2-Ball	110V	80~135	50/60	24.00	3,000±10%	211.5	18.3	62.0
CCE17251L2B	2-Ball	220V	180~265	50/60	24.00				
CCE17251M1B	2-Ball	110V	80~135	50/60	27.00	3,500±10%	246.7	21.4	63.0
CCE17251M2B	2-Ball	220V	180~265	50/60	27.00				
CCE17251H1B	2-Ball	110V	80~135	50/60	31.00	4,000±10%	282.0	24.5	65.0
CCE17251H2B	2-Ball	220V	180~265	50/60	31.00				

- * 以上为额定电压下的常规参数(All readings are typical values at rated voltage)
- * 规格如有变动不另行通知(Specifications are subjected to change without prior notice)

EC Axial Fan 180x180x60mm

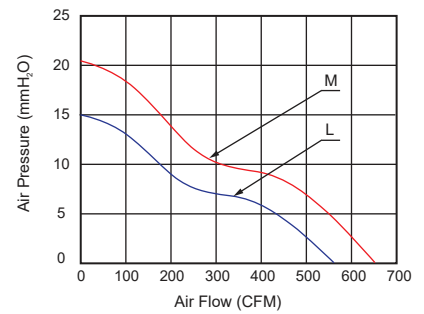
■ 尺寸图 (DIMENSION DRAWING)



Unit:mm

- * 轴承类型:滚珠轴承
(Bearing type:2-ball)
- * 材料(Material):
框(Frame):Aluminum Alloy
叶(Impeler):PBT,UL 94V-0
- * 引线(Lead wire):
UL1015 AWG #22(Optional)
- * 重量(Weight):1500g

■ 风压&风量曲线图 P and Q CURVE

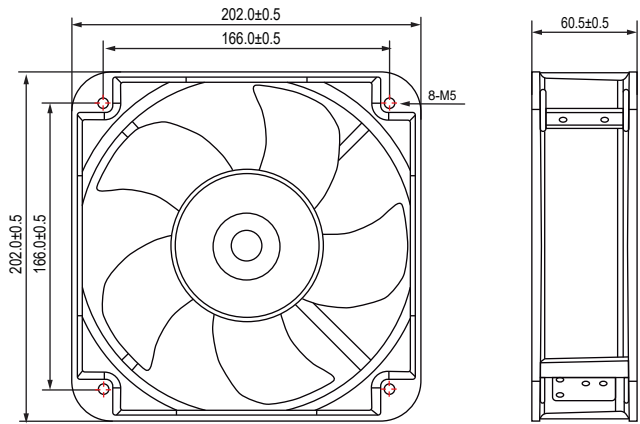


型号 Model	轴承类型 Bearing Type	电压 Rated Voltage	电压范围 Operating Voltage Range	频率 Freq.	功率 Power	转速 Speed	风量 Air Flow	风压 Static Pressure	噪音 Noise Level
		VAC	VAC	Hz	Watt	RPM	CFM	MM-H ₂ O	dBA
CCE18060L1B	2-Ball	110V	80~135	50/60	50.00	2,500±10%	554.0	15.0	57.0
CCE18060L2B	2-Ball	220V	180~265	50/60	50.00				
CCE18060M1B	2-Ball	110V	80~135	50/60	70.00	3,000±10%	650.0	20.2	62.0
CCE18060M2B	2-Ball	220V	180~265	50/60	70.00				

- * 以上为额定电压下的常规参数(All readings are typical values at rated voltage)
- * 规格如有变动不另行通知(Specifications are subjected to change without prior notice)

EC Axial Fan 200x200x60mm

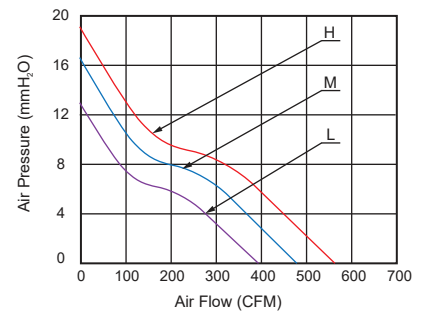
■ 尺寸图 (DIMENSION DRAWING)



Unit:mm

- * 轴承类型:滚珠轴承 (Bearing type:2-ball)
- * 材料(Material):
框 (Frame):Aluminum Alloy
叶 (Impeler):PBT,UL 94V-0
- * 引线(Lead wire):
UL1015 AWG #22(Optional)
- * 重量(Weight):1500g

■ 风压&风量曲线图 P and Q CURVE

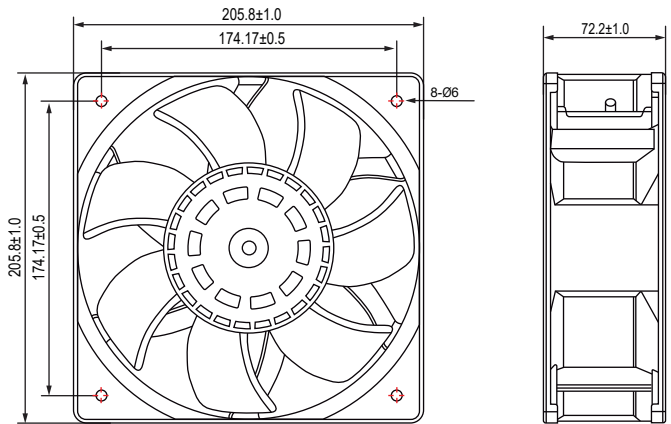


型号 Model	轴承类型 Bearing Type	电压 Rated Voltage	电压范围 Operating Voltage Range	频率 Freq.	功率 Power	转速 Speed	风量 Air Flow	风压 Static Pressure	噪音 Noise Level
		VAC	VAC	Hz	Watt	RPM	CFM	MM-H ₂ O	dBA
CCE20060L1B	2-Ball	110V	80~135	50/60	42.00	2,500±10%	393.0	12.7	31.0
CCE20060L2B	2-Ball	220V	180~265	50/60	42.00				
CCE20060M1B	2-Ball	110V	80~135	50/60	70.00	3,000±10%	470.0	16.1	35.0
CCE20060M2B	2-Ball	220V	180~265	50/60	70.00				
CCE20060H1B	2-Ball	110V	80~135	50/60	90.00	3,500±10%	553.5	18.8	37.5
CCE20060H1B	2-Ball	220V	180~265	50/60	90.00				

- * 以上为额定电压下的常规参数(All readings are typical values at rated voltage)
- * 规格如有变动不另行通知(Specifications are subjected to change without prior notice)

EC Axial Fan 205x205x72mm

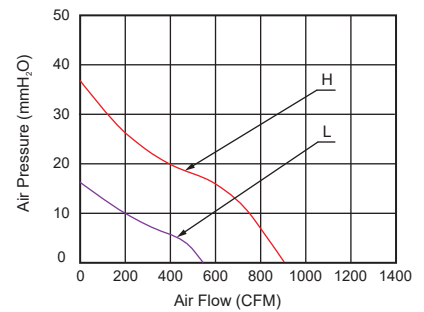
■ 尺寸图 (DIMENSION DRAWING)



Unit:mm

- * 轴承类型:滚珠轴承
(Bearing type:2-ball)
- * 材料(Material):
框(Frame):Aluminum Alloy
叶(Impeler):PBT,UL 94V-0
- * 引线(Lead wire):
UL1015 AWG #22(Optional)
- * 重量(Weight):2300g

■ 风压&风量曲线图 P and Q CURVE

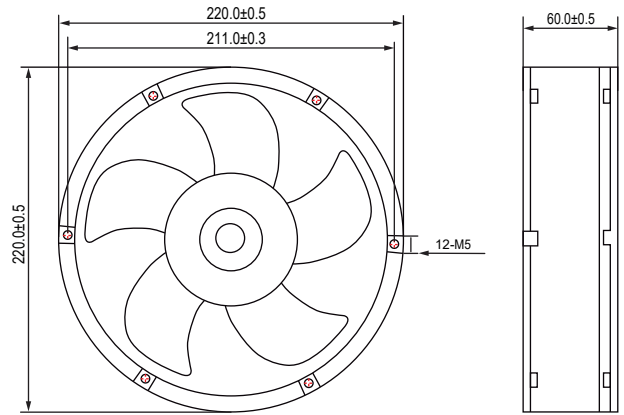


型号 Model	轴承类型 Bearing Type	电压 Rated Voltage	电压范围 Operating Voltage Range	频率 Freq.	功率 Power	转速 Speed	风量 Air Flow	风压 Static Pressure	噪音 Noise Level
		VAC	VAC	Hz	Watt	RPM	CFM	MM-H ₂ O	dBA
CCE20572L1B	2-Ball	110V	80~135	50/60	85.00	2,400±10%	563.0	15.5	61.0
CCE20572L2B	2-Ball	220V	180~265	50/60	85.00				
CCE20572H1B	2-Ball	110V	80~135	50/60	125.00	3,500±10%	880.0	35.7	72.0
CCE20572H2B	2-Ball	220V	180~265	50/60	125.00				

- * 以上为额定电压下的常规参数(All readings are typical values at rated voltage)
- * 规格如有变动不另行通知(Specifications are subjected to change without prior notice)

EC Axial Fan $\Phi 220 \times 60 \text{mm}$

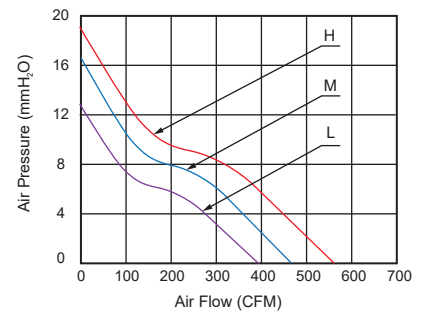
■ 尺寸图 (DIMENSION DRAWING)



Unit:mm

- * 轴承类型:滚珠轴承
(Bearing type:2-ball)
- * 材料(Material):
框 (Frame):Aluminum Alloy
叶 (Impeller):PBT,UL 94V-0
- * 引线(Lead wire):
UL1015 AWG #22(Optional)
- * 重量(Weight):1500g

■ 风压&风量曲线图 P and Q CURVE

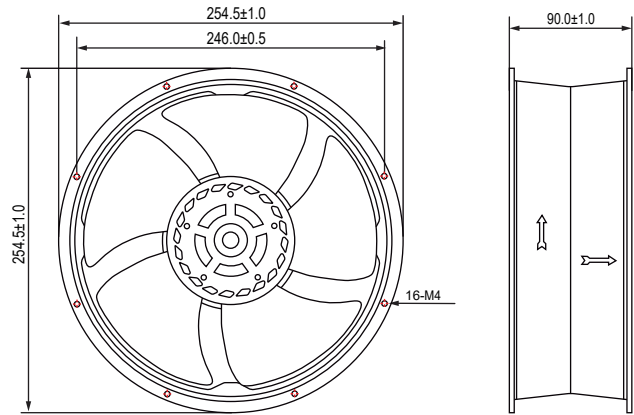


型号 Model	轴承类型 Bearing Type	电压 Rated Voltage	电压范围 Operating Voltage Range	频率 Freq.	功率 Input Power	转速 Speed	风量 Air Flow	风压 Static Pressure	噪音 Noise Level
		VAC	VAC	Hz	Watt	RPM	CFM	MM-H ₂ O	dBA
CCE20060L1B	2-Ball	110V	80~135	50/60	42.00	2,500±10%	393.0	12.7	31.0
CCE20060L2B	2-Ball	220V	180~265	50/60	42.00				
CCE20060M1B	2-Ball	110V	80~135	50/60	70.00	3,000±10%	470.0	16.1	35.0
CCE20060M2B	2-Ball	220V	180~265	50/60	70.00				
CCE20060H1B	2-Ball	110V	80~135	50/60	90.00	3,500±10%	553.0	18.8	37.5
CCE20060H1B	2-Ball	220V	180~265	50/60	90.00				

- * 以上为额定电压下的常规参数(All readings are typical values at rated voltage)
- * 规格如有变动不另行通知(Specifications are subjected to change without prior notice)

EC Axial Fan $\Phi 254 \times 89 \text{mm}$

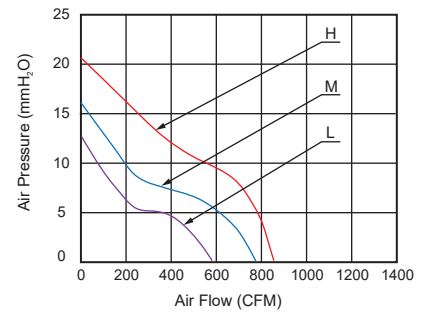
■ 尺寸图 (DIMENSION DRAWING)



Unit:mm

- * 轴承类型:滚珠轴承 (Bearing type:2-ball)
- * 材料(Material):
框(Frame):Aluminum Alloy
叶(Impeller):PBT,UL 94V-0
- * 引线(Lead wire):
UL1015 AWG #22(Optional)
- * 重量(Weight):2300g

■ 风压&风量曲线图 P and Q CURVE



型号 Model	轴承类型 Bearing Type	电压 Rated Voltage	电压范围 Operating Voltage Range	频率 Freq.	功率 Power	转速 Speed	风量 Air Flow	风压 Static Pressure	噪音 Noise Level
		VAC	VAC	Hz	Watt	RPM	CFM	MM-H ₂ O	dBA
CCE25489L1B	2-Ball	110V	80~135	50/60	30.00	1,900±10%	592.3	12.7	66.0
CCE25489L2B	2-Ball	220V	180~265	50/60	32.00				
CCE25489M1B	2-Ball	110V	80~135	50/60	65.00	2,500±10%	780.0	16.1	71.0
CCE25489M2B	2-Ball	220V	180~265	50/60	70.00				
CCE25489H1B	2-Ball	110V	80~135	50/60	140.00	3,200±10%	850.3	20.6	76.0
CCE25489H2B	2-Ball	220V	180~265	50/60	145.00				

- * 以上为额定电压下的常规参数(All readings are typical values at rated voltage)
- * 规格如有变动不另行通知(Specifications are subjected to change without prior notice)